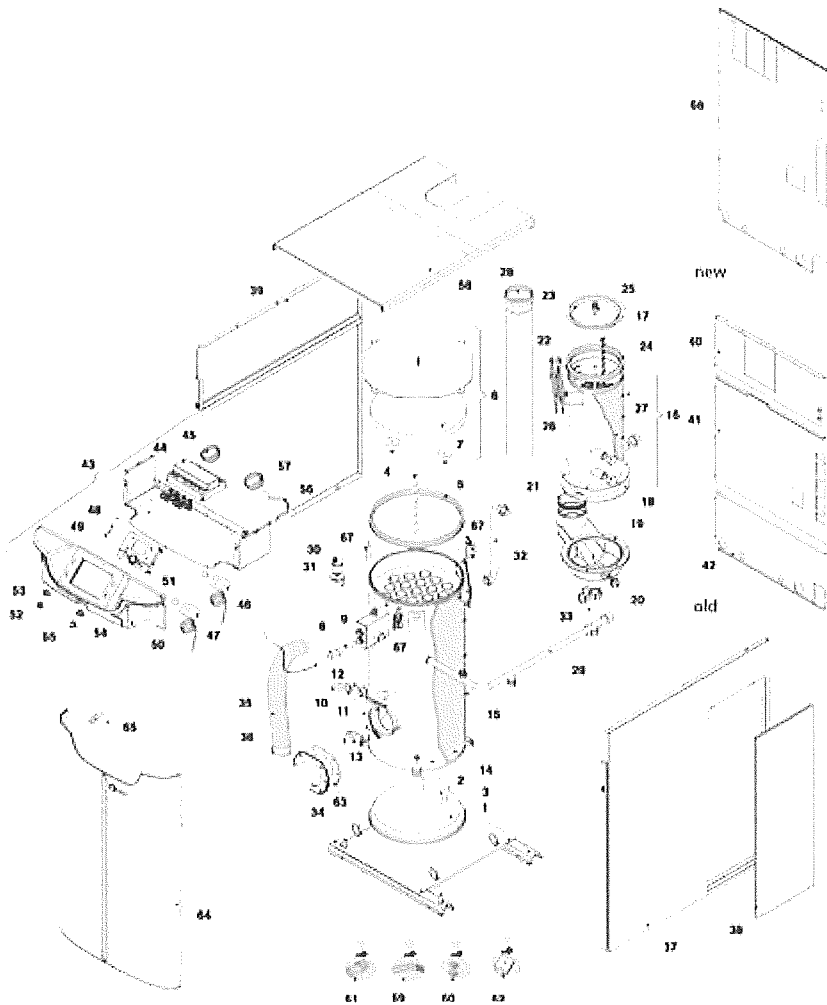


20042866 - TAU UNIT OIL 28 G FLEX



| Posizione | idComponente | Descrizione | |
|-----------|--------------|---------------------------|--------------|
| 1 | 4038585 | Isolation | |
| 2 | 4038586 | Corps de chauffe | > 2338315910 |
| 2 | 4R100584 | Corps de chauffe | ≥ 2338315911 |
| 3 | 4034615 | Brise flamme | |
| 4 | 4038587 | Turbulateur | |
| 5 | 4038590 | Thermocouple | |
| 6 | 4R000383 | Fermeture chambre fumee | > 2338315910 |
| 6 | 4R100581 | Fermeture chambre fumee | ≥ 2338315911 |
| 7 | 4R000386 | Isolation | > 2338315910 |
| 7 | 4R100582 | Isolation | ≥ 2338315911 |
| 8 | 4050833 | Doigt de gant | |
| 9 | 4038643 | Doigt de gant | |
| 10 | 4034618 | Bride viseur | |
| 11 | 4038881 | Joint | |
| 12 | 4035588 | Verre viseur + joints | |
| 13 | 4035780 | Robinet de vidange | |
| 14 | 4038591 | Isolation corps chaudière | > 2338315910 |
| 14 | 4R100586 | Isolation corps chaudière | ≥ 2338315911 |
| 15 | 4034608 | Ressort | |
| 16 | 4R000395 | Échangeur | |
| 17 | 4038595 | Turbulateur | |
| 18 | 4R000389 | Joint | |

H03776

| | | | |
|----|----------|-----------------------------------|--------------|
| 19 | 4R000382 | Fermeture inférieure | > 2338315910 |
| 19 | 4R100587 | Fermeture inférieure | ≥ 2338315911 |
| 20 | 4R000391 | Doigt de gant | |
| 21 | 4R000390 | Joint | |
| 22 | 4038599 | Joint | |
| 23 | 4R000387 | Couvercle de protection | |
| 24 | 4R000392 | Joint | |
| 25 | 4R000393 | Joint | |
| 26 | 4R000385 | Isolation | |
| 27 | 4034608 | Ressort | |
| 28 | 4R000394 | Tube évacuation fumées | |
| 29 | 4R001123 | Tube sortie | |
| 30 | 4R102873 | Purgeur automatique | |
| 31 | 4038602 | Récupérateur évacuation purgeur | |
| 32 | 4R000384 | Tuyau de raccordement | |
| 33 | 4038614 | Siphon | > 2338315910 |
| 33 | 4038655 | Siphon | ≥ 2338315911 |
| 34 | 4038645 | Joint brûleur | |
| 34 | 4038654 | Joint brûleur | |
| 35 | 4034673 | Tube | |
| 36 | 4034672 | Collier | |
| 37 | 4R000376 | Panneau de droite | |
| 38 | 4038622 | Panneau pour inspection | |
| 39 | 4R000377 | Panneau de gauche | |
| 40 | 4R000379 | Panneau arrière supérieur | > 2338315910 |
| 41 | 4R000380 | Panneau postérieur central | > 2338315910 |
| 42 | 4R000381 | Panneau arrière inférieur | > 2338315910 |
| 43 | 4R001009 | Tableau électrique complet | |
| 44 | 4R102654 | Thermorégulation | |
| 45 | 4038651 | Câblage tableau électrique | |
| 46 | 4048766 | Thermostat sécurité | |
| 47 | 4038627 | Thermostat | |
| 48 | 3006211 | Fusible 6,3 A | |
| 49 | 4050868 | Porte-fusibles | |
| 50 | 4038650 | Panneau façade tableau électrique | |
| 51 | 4038628 | Carte interface | |
| 52 | 4035840 | Interrupteur | |
| 53 | 4038631 | Voyant | |
| 54 | 4038632 | Voyant | |
| 55 | 4038633 | Bouton | |
| 56 | 4038644 | Cablage plat | |
| 57 | 4035846 | Sonde LMU L=200 | |
| 58 | 4R000378 | Panneau couvercle | |
| 59 | 4051325 | Flexible | |
| 60 | 3009068 | Mamelon | |
| 61 | 4051521 | Clapet d'isolement | |
| 62 | 4035848 | Sonde externe | |
| 64 | 4038653 | Panneau antérieur | |
| 65 | 4038726 | Doigt de bloquage | |
| 66 | 4R100583 | Panneau postérieur | ≥ 2338315911 |
| 67 | 4R100585 | Charnière | ≥ 2338315911 |

H10694 ✓

71768 ✓

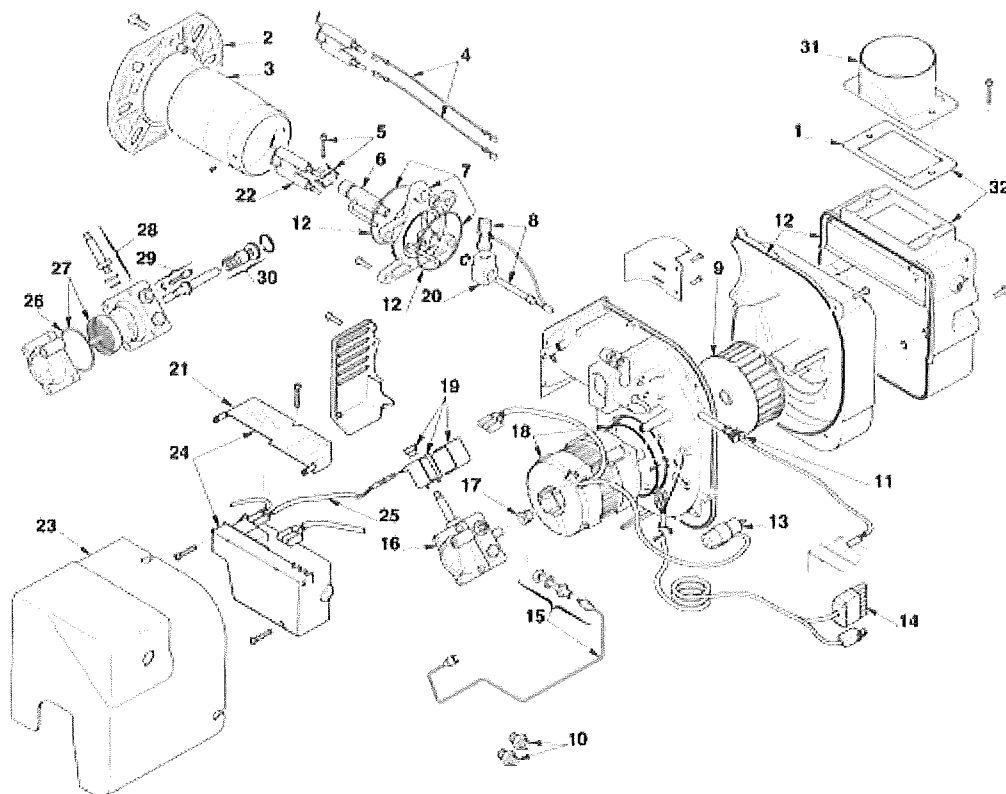
H03396 ✓

07608 ✓

H23031 ✓

20042866 - TAU UNIT OIL 28 G FLEX

Tav. 2



| Posizione | idComponente | Descrizione | |
|-----------|--------------|-------------------------|--------|
| 1 | 3020086 | Joint | |
| 2 | 3006384 | Fronton | |
| 3 | 3002447 | Tete a emboiment | H08868 |
| 4 | 3008794 | Cable haute tension | |
| 5 | 3006552 | Collier | h2183 |
| 6 | 3008855 | Pulverisateur | |
| 7 | 3008845 | Collier | |
| 8 | 3002437 | Groupe rechauffeur | |
| 9 | 3005788 | Turbine | |
| 10 | 3009068 | Mamelon | 07608 |
| 11 | 3008646 | Cellule photoresistance | |
| 12 | 3008878 | Kit joints | |
| 13 | 20071576 | Condensateur | |
| 14 | 3006938 | Prise à 7 pôles | |
| 15 | 3008842 | Tuyau et mamelon | |
| 16 | 3007771 | Pompe | 73092 |
| 17 | 3000443 | Accouplement | 07592 |
| 18 | 3002836 | Moteur | |
| 19 | 3008648 | Bobine | 97488 |
| 20 | 3008856 | Mamelon | |
| 21 | 3008649 | Protection | |
| 22 | 3007513 | Groupe electrodes | 95763 |
| 23 | 3002422 | Capot | |
| 24 | 20037830 | Boite de controle | |
| 25 | 3008851 | Cable de connexion | |
| 26 | 3007162 | Anneau | 07585 |
| 27 | 3008653 | Filtre joint torique | |
| 28 | 3007582 | Vanne | 86571 |
| 29 | 3008651 | Regulateur | |

| | | | |
|----|---------|---------------------|-------|
| 30 | 3000439 | Organe d'étancheite | 07591 |
| 31 | 3020281 | Prise air | |
| 32 | 3008647 | Groupe volet | |