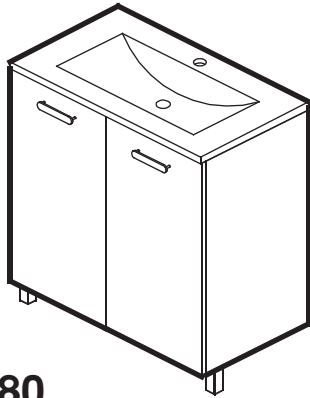
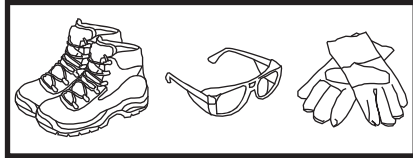
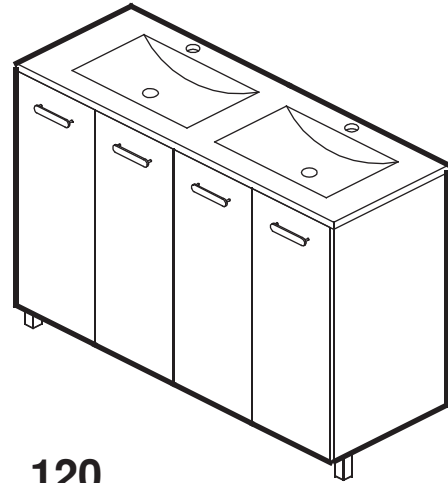


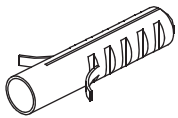
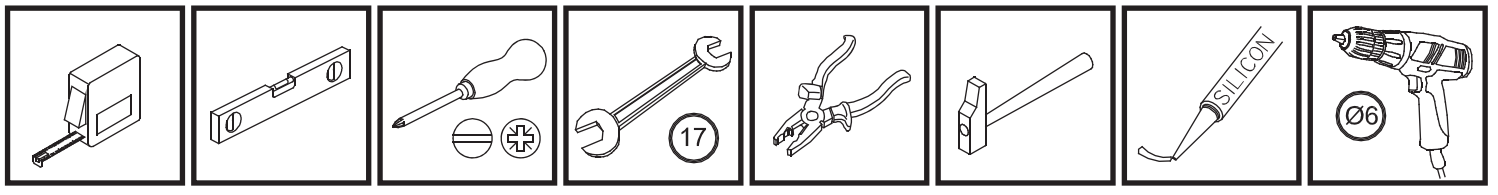
MEUBLE SAPHIR



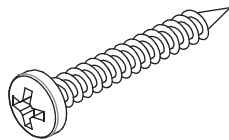
60-70-80



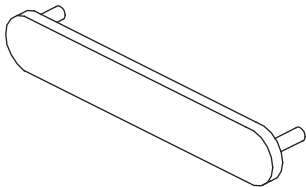
120



106784 / A x2

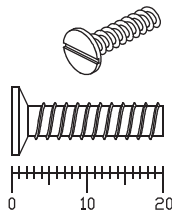


106784 / B x2



T-178

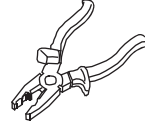
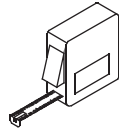
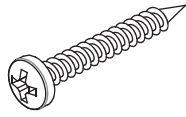
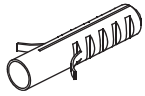
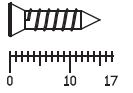
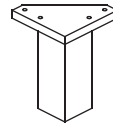
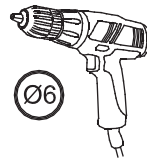
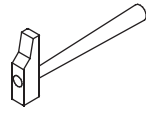
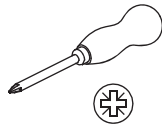
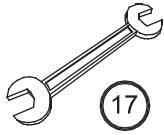
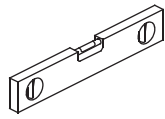
MLV 60-70-80: ___x2
MLV 120: _____x4



119941

MLV 60-70-80: ___x4
MLV 120: _____x8

01.



PAT-028 / A

MLV 60-70-80: ___x2

MLV 120: ___x3

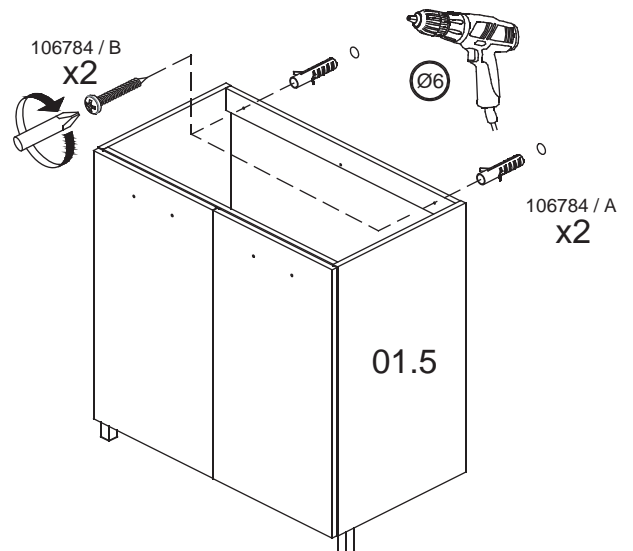
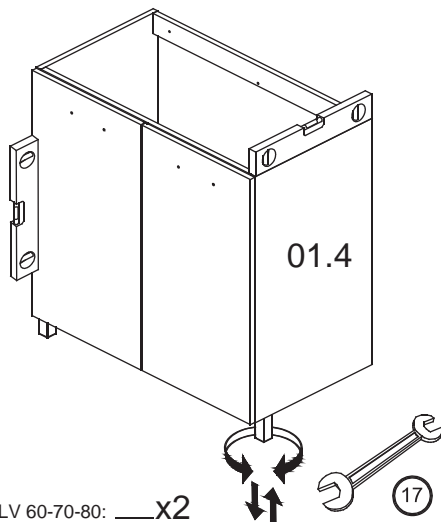
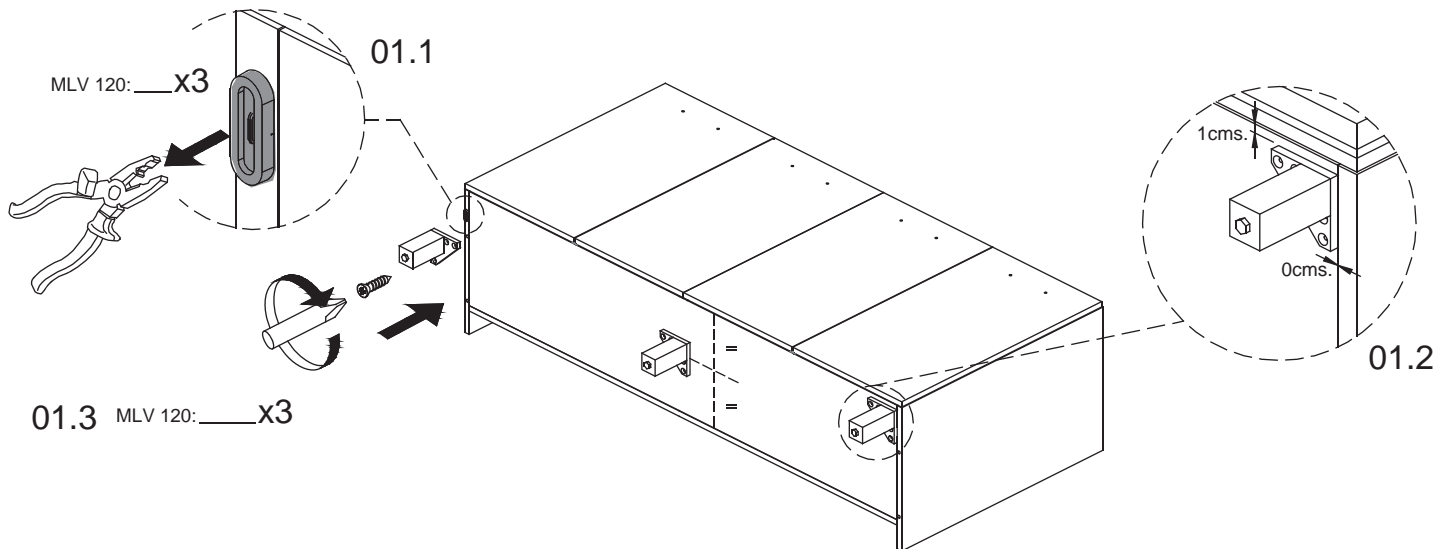
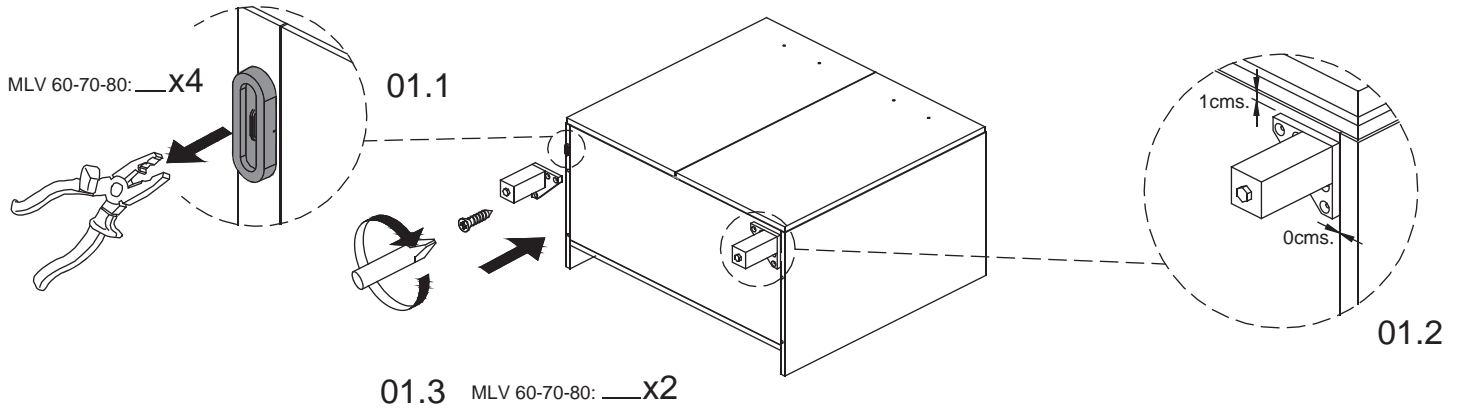
PAT-028 / B

MLV 60-70-80: ___x8

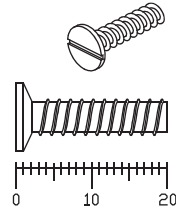
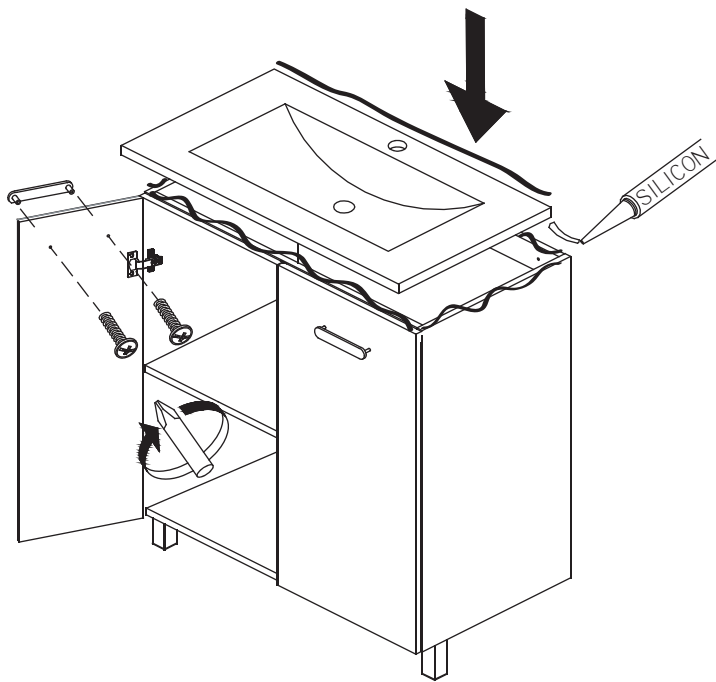
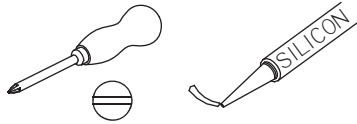
MLV 120: ___x12

106784 / A x2

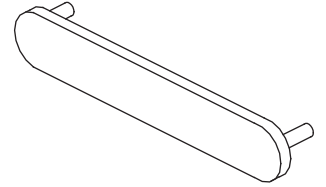
106784 / B x2



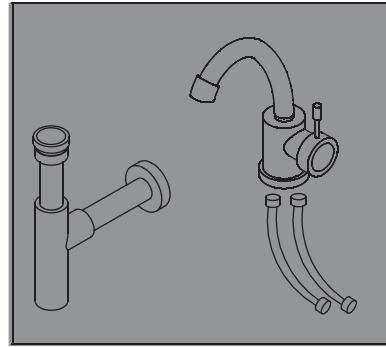
03.



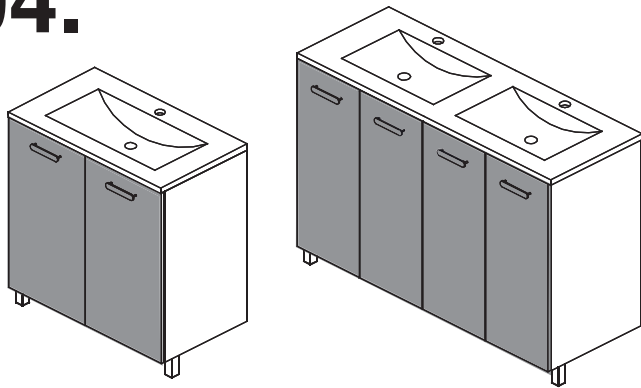
119941 MLV 60-70-80: x4
MLV 120: x8



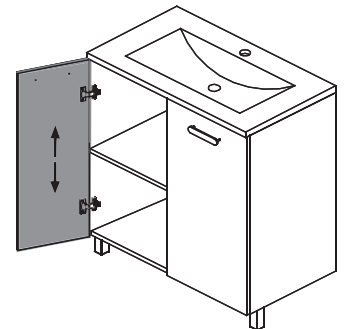
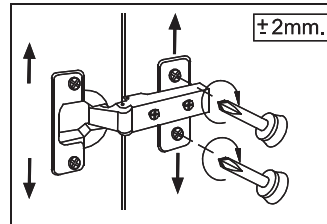
T-178 MLV 60-70-80: x2
MLV 120: x4



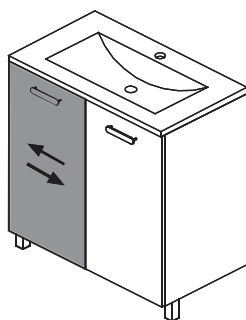
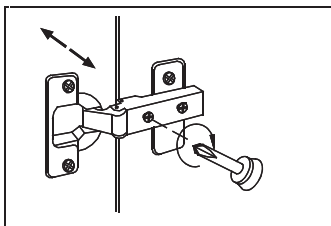
04.



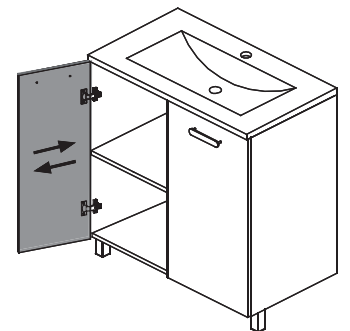
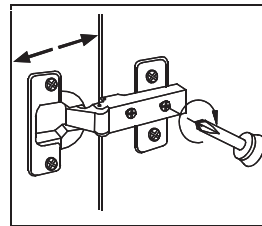
05-1



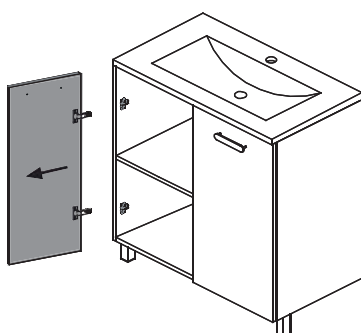
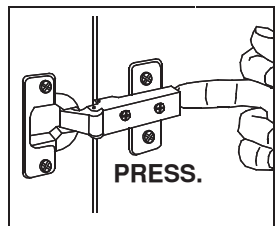
05-2



05-3



05-4



05-5

