

HOTELLERIE

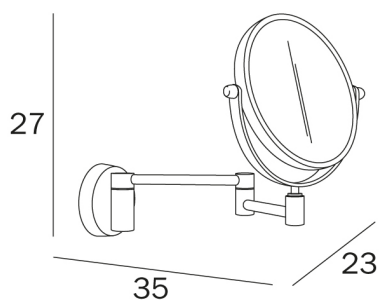
design Studio Inda



COD AV058C

Miroir grossissant mural avec double bras flexible, parabole Ø 18 cm en laiton chromé, double face, pivotant.

DESSIN TECHNIQUE



TECHNOLOGIES



CR Chromé

HOTELLERIE

design Studio Inda

TECNOLOGIE



INDA srl
Operational Headquarters
Via dell'Industria, 41
I-24040 Pagazzano (BG)

tel. +39 0363 38061
fax. +39 0363 070035
Administration +39 0363 740103

www.inda.net
info@inda.net

 **inda**[®]