

COLLIER DE PRISE EN CHARGE

collier PP-B avec protection anti-UV, joint nitrile (NBR), boulons acier galvanisé

CLAMP SADDLE

COLLARÍN DE TOMA

AANBOORZADEL MET

Référence	dxG	L	H	E	F	Nbr Boulons	PN	Gr
CPC201/2	20x1/2"		22	68	38	2	10	70
UCPC251/2	25x1/2"	38	20	76	49	2	10	66
UCPC253/4	25x3/4"	38	21	76	49	2	10	70
UCPC321/2	32x1/2"	41	17	81	56	2	10	110
UCPC323/4	32x3/4"	41	21	81	56	2	10	114
UCPC321	32x1"	44	23	81	56	2	10	120
UCPC401/2	40x1/2"	41	17	81	60	2	10	117
UCPC403/4	40x3/4"	46	18	81	60	2	10	123
UCPC401	40x1"	46	23	81	60	2	10	131
UCPC501/2	50x1/2"	50	17	98	69	4	10	195
UCPC503/4	50x3/4"	50	18	98	69	4	10	198
UCPC501	50x1"	52	20	98	69	4	10	204
UCPC5011/4	50x1"1/4	57	25	98	69	4	10	223
UCPC631/2	63x1/2"	55	16	105	79	4	10	229
UCPC633/4	63x3/4"	55	18	105	79	4	10	229
UCPC631	63x1"	59	20	105	79	4	10	232
UCPC6311/4	63x1"1/4	63	25	105	79	4	10	244
UCPC6311/2	63x11/2"	63	28	105	79	4	10	254
UCPC751/2	75x1/2"	62	17	120	90	4	10	295
UCPC753/4	75x3/4"	62	18	120	90	4	10	294
UCPC751	75x1"	65	21	120	90	4	10	299
UCPC7511/4	75x1"1/4	68	24	120	90	4	10	307
UCPC7511/2	75x1"1/2	68	23	120	90	4	10	311
UCPC752	75x2"	72	27	120	90	4	10	325
UCPC901/2	90x1/2"	70	17	135	90	4	10	335
UCPC903/4	90x3/4"	70	19	135	90	4	10	342
UCPC901	90x1"	72	21	135	90	4	10	343
UCPC9011/4	90x1"1/4	76	24	135	90	4	10	354
UCPC9011/2	90x1"1/2	76	24	135	90	4	10	357
UCPC902	90x2"	80	27	135	90	4	10	373
UCPC1101/2	110x1/2"	80	17	168	99	4	10	457
UCPC1103/4	110x3/4"	80	19	168	99	4	10	456
UCPC1101	110x1"	84	20	168	99	4	4	459
UCPC11011/4	110x1"1/4	86	23	168	99	4	10	469
UCPC11011/2	110x1"1/2	86	23	168	99	4	10	472
UCPC1102	110x2"	90	27	168	99	4	10	477
UCPC1251/2	125x1/2"	108	25	190	106	6	10	756
UCPC1253/4	125x3/4"	108	26	190	106	6	10	722
UCPC1251	125x1"	109	26	190	106	6	10	725
UCPC12511/4	125x1"1/4	109	25	190	106	6	10	723
UCPC12511/2	125x1"1/2	113	28	190	106	6	10	735
UCPC1252	125x2"	113	30	190	106	6	10	742

SORO
POOL



SORO
BUILD



SORO
HOME

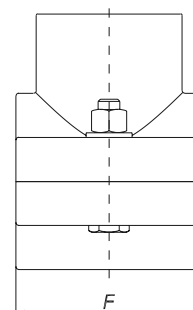
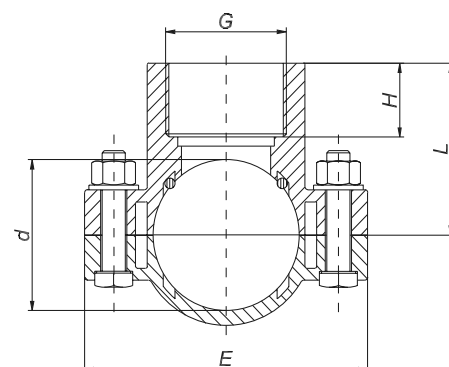


SORO
GROW



UNIDELTA

DELTA ONE
SISTEMA UNIDELTA



COLLIER DE PRISE EN CHARGE

collier PP-B avec protection anti-UV, joint nitrile (NBR), boulons acier galvanisé

CLAMP SADDLE

COLLARÍN DE TOMA

AANBOORZADEL MET

SORO
POOL



SORO
BUILD



SORO
HOME



SORO
GROW



UNIDELTA

DELTA ONE
SISTEMA UNIDELTA

Référence	dxG	L	H	E	F	Nbr boulons	PN	Gr
CPC1401	140x1"	-	25	180	137	6	10	817
CPC14011/4	140x1"1/4	-	25	180	137	6	10	814
CPC14011/2	140x1"1/2	-	25	180	137	6	10	814
CPC1402	140x2"	-	25	180	137	6	10	877
CPC1403	140x3"	-	25	180	137	6	10	866
UCPC1603/4	160x3/4"	108	19	215	175	6	6	175
UCPC1601	160x1"	110	21	215	175	6	6	175
UCPC16011/4	160x1"1/4	113	24	215	175	6	6	175
UCPC16011/2	160x1"1/2	115	26	215	175	6	6	175
UCPC1602	160x2"	117	30	215	175	6	6	175
UCPC16021/2	160x2"1/2	125	32	215	175	6	6	175
UCPC1603	160x3"	134	35	215	175	6	6	175
UCPC1604	160x4"	135	40	215	175	6	6	175
UCPC2003/4	200x3/4"	128	23	262	175	6	6	175
UCPC2001	200x1"	130	23	262	175	6	6	175
UCPC20011/4	200x1"1/4	133	23	262	175	6	6	175
UCPC20011/2	200x1"1/2	133	23	262	175	6	6	175
UCPC2002	200x2"	135	30	262	175	6	6	175
UCPC20021/2	200x2"1/2	150	32	262	175	6	6	175
UCPC2003	200x3"	152	35	262	175	6	6	175
UCPC2004	200x4"	155	42	262	175	6	6	175

